

■ Core Size

Core Size	EI28	EI35	EI41	EI48	EI57
Shape No.	KRE-T28	KRE-T35	KRE-T41	KRE-T48	KRE-T57

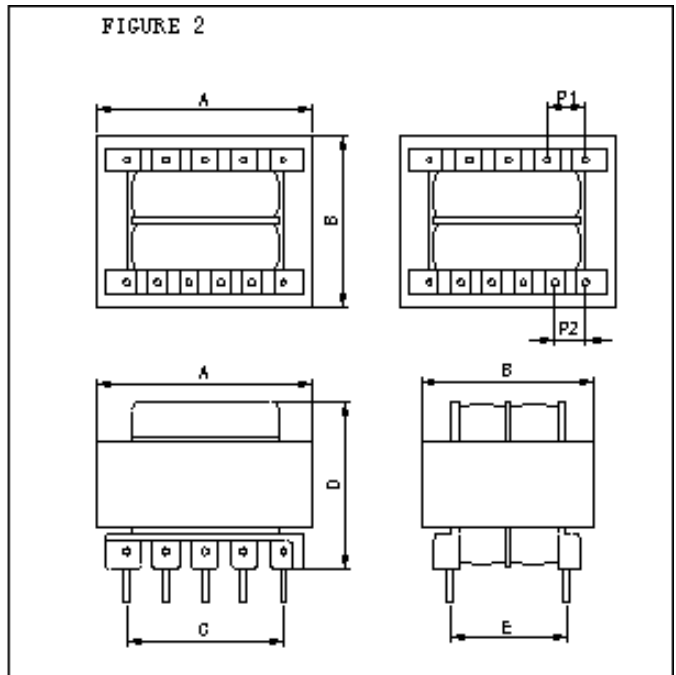
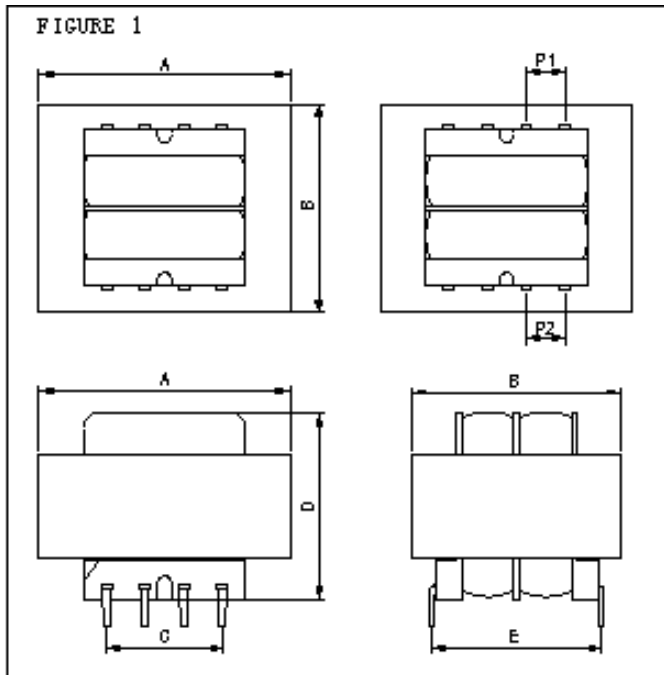
■ Features

- Primary voltages up to 250 V
- Output Power up to 20 VA
- Short-circuit-proof
- Insulation class 130 °C
- Vacuum-encapsulated, bobbin with dual chamber windings
- Super-low conducted & disturbance noise
- 100 % piece inspection
- Excellent temperature fluctuation resistance properties
- Self-extinguishing cast housing and sealing material
- Minimal size available

■ Applications

- Consumer electronic devices
- Telecommunication devices
- Office facilities
- Industrial equipment

■ Mechanical Specifications



*) we also have a lot of other bobbin size for choose.

■ Specifications

FIGUR 1								
SIZE	VA	A	B	C	D	E	P1	P2
EI35	3.0	36.0	29.5	20.0	31.0	27.0	4*6.0	4*6.0
EI41	6.0	42.0	33.5	20.0	33.5	28.5	4*6.0	4*6.0
EI48	12.0	48.0	40.0	24.5	36.5	32.5	4*7.5	4*7.5
EI57	20.0	58.0	48.0	26.5	36.5	37.5	4*8.0	4*8.0

FIGUR 2								
SIZE	VA	A	B	C	D	E	P1	P2
EI28	1.5	29.0	23.0	20.0	31.5	19.0	3*6.0	3*6.0
EI35	4.0	36.0	29.5	20.0	35.5	24.0	5*5.0	5*5.0
EI41	8.0	42.0	33.5	22.5	39.5	22.0	3*9.0	4*8.5
EI48	12.0	48.0	40.0	30.0	50.0	28.0	5*7.5	5*7.5
EI57	18.0	58.0	48.0	22.5	23.5	31.5	4*7.5	6*6.0

* VA is variable to some degree due to we use different laminated core materials.

- (1) X = 28, 35, 41, 48, 57, 66 versions.
- (2) xxx for Output voltage and yyy for output current, what you are going to order, please must specify to sales.
- (3) According to customer design is available.
- (4) There are only a few drawings on this spec, we have a lot of bobbin size for OEM.
- (5) Safety model number differs from the order number, part number, and shape number as per respective OEM/ODM.

Kreco is not responsible for any error, and reserves the right to make changes without notice.

Please visit our website at <https://www.kreco.com.cn> for the most up-to-date specifications and contact information.